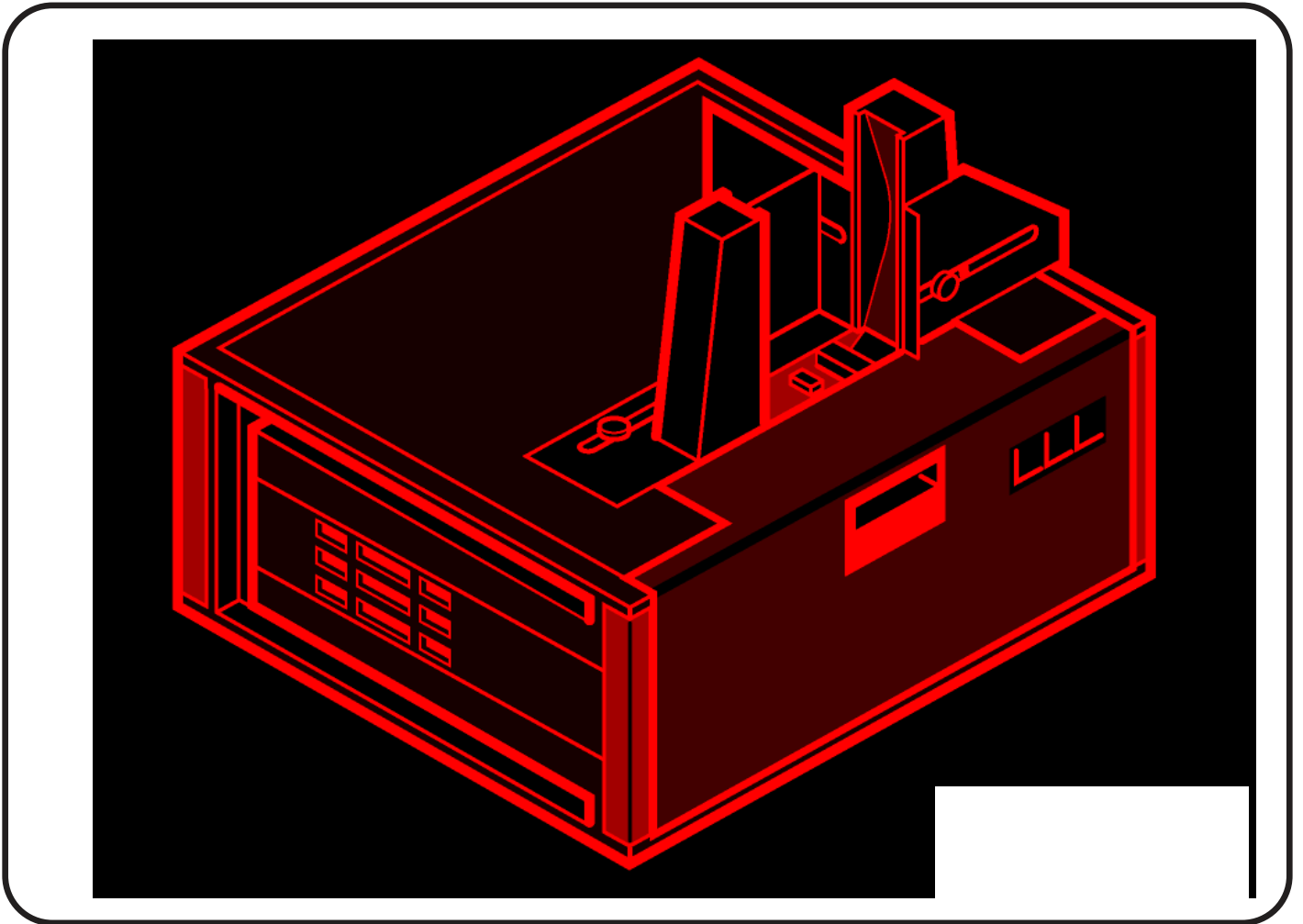


---

# Operating instructions

## BA 40



# Automatic Banding Machine

# EC Declaration of Conformity

in accordance with EC Machinery Directive 89/392/EEC, Appendix II A

The design of the machine

of the make

**Automatic banding machine**

type

**BA 40**

was developed, designed and manufactured in accordance with the EC Directive 89/392/EEC by

HIMA-Harald Hinderer Maschinenbau  
Brühlstrasse 22, 73635 Rudersberg, Germany

The following harmonised standard are applied:

**89/392/EEC**

**EN 292**

**EN 55014**

**EN 61000-3-2**

**EN 55104**

The following national standards, guidelines and specifications are applied:

**9. GSGV (German ordinance on machinery safety)**

A complete technical documentation exists in accordance with the directives and guidelines.  
The operating instructions belonging to the machine are available.

Rudersberg \_\_\_\_\_

\_\_\_\_\_  
(Harald Hinderer)

Owner of HIMA-Harald Hinderer Maschinenbau

Information about the signatory

## Contents

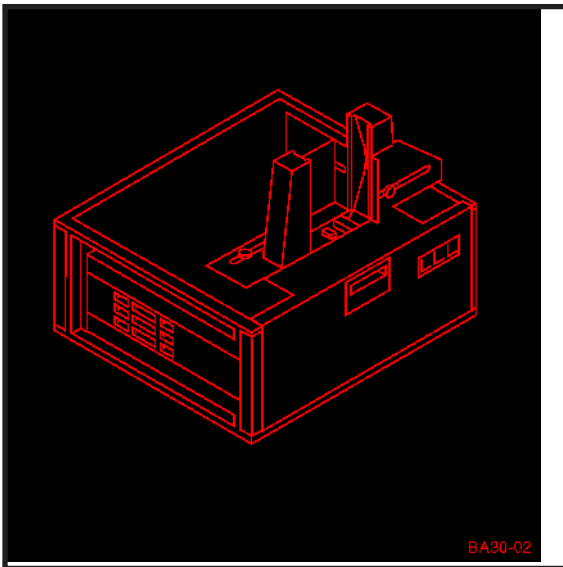
---

Description of features Technical specifications Power supply	<b>4</b>
General instructions	<b>5</b>
Setting up/place of operation Loading the paper	<b>6</b>
Adjusting product stops Setting length of band loop Putting into operation Hand-operated single stroke mode Foot-operated single stroke mode	<b>7</b>
Automatic operation mode Adjusting the band tension	<b>8</b>
Troubleshooting	<b>8/9</b>
Lubricating intervals	<b>10</b>
Warranty/Warranty card	<b>11</b>

---

## Description of features

The banding machine **BA 40** by **HIMA** applies paper bands automatically where the paper is unwinded from a paper roll. When the paper roll is loaded and the start button is pressed a band is pulled tight around the product to be banded, sealed and cut off. When removing the banded product, a new loop is formed instantly preparing the machine for a new work cycle.



## Technical specifications

**Output:** up to 25 cycles/min.

**Width of banded product:** 30 - 310 mm

**Stack height:** 3 - 220 mm

**Triggering of cycle:**

- manual/start button
- foot actuator
- automatic mode button

**Dimensions:** 540 (L) x 350 (W) x 220 (H) mm

**Power supply:** 230 V ~, 50 Hz, 200 W

**Weight:** 32 kg

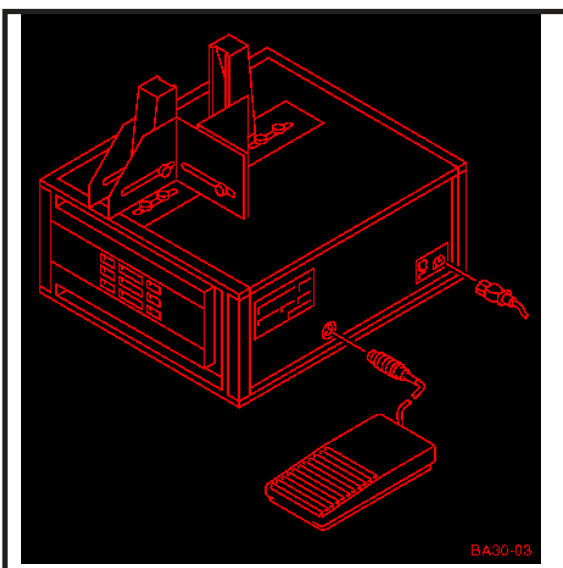
## Power supply:

Plug the supplied power cord into the appliance connector at the back of the machine and connect the other end to a suitable power outlet 230 V ~, 16 A.

## Caution!

**Make sure the selected power outlet is appropriately fused (16A). Otherwise, there is the risk of fire in case of overload.**

**The supplied power cord shall be modified (length, plug, etc.) by authorised specialists only.**



## General instructions

The banding machine of the type **BA 40** manufactured by **HIMA** is easy to operate but nevertheless requires prudence. The persons operating the machine shall be familiar with its operation and limits.

### The following instructions must be observed:

Please read the operating instructions carefully prior to using the banding machine and use the machine only in the proper way described in these operating instructions.

#### Caution!

*Persons not instructed in the operation shall not use the machine. Please make sure that the designated operating staff has been instructed properly.*

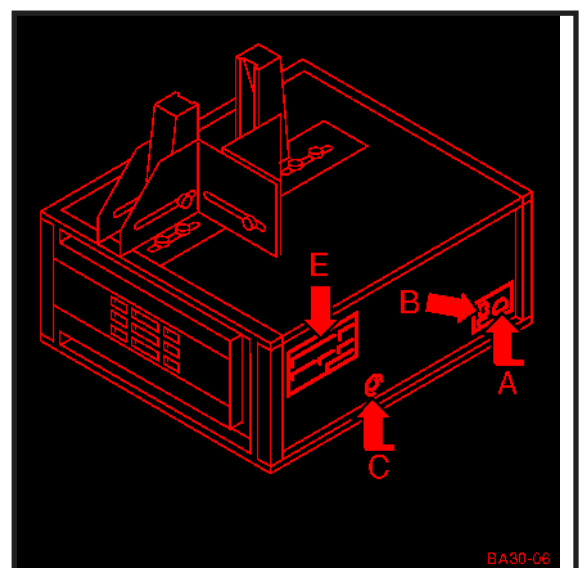
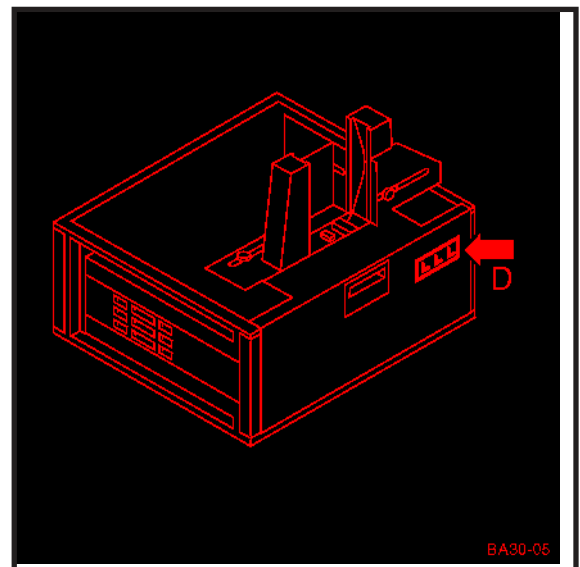
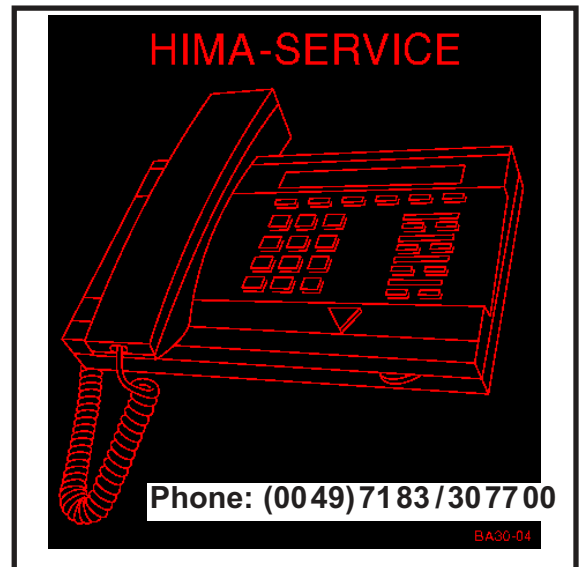
*Do not operate the machine if it has been damaged during transportation or during use. This applies in particular to damages of the appliance connector (A) with the main switch (B), the remote operation socket (C) or the operating elements (D) on the front. The machine shall be serviced or repaired only by specialised persons (HIMA customer service). Do not repair the machine yourself (warranty will become void). In case of damages, please contact the customer service immediately.*

## Putting into initial operation

Remove all protective foils. Remove any parts on or inside the machine or in the immediate vicinity of the machine. Do not stick advertising (stickers, paper, etc.) to the machine.

### Danger of electrical shock!

Do not clean the outer case of the machine with a dripping wet cloth. Use a dry cloth. The same applies to the electrical operating elements (D). Keep any chemical detergents away from the operating elements and the nameplate (E).



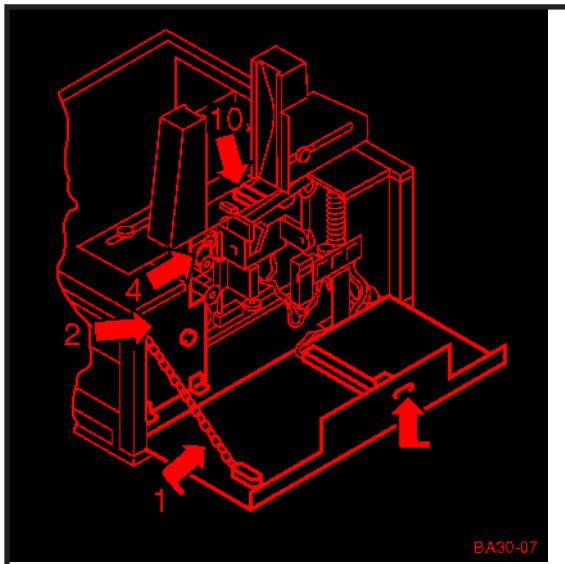
## Setting up/place of operation

### Caution!

Please observe the following in order to ensure a proper functioning of the machine:

1. Place the banding machine **BA 40** by **HIMA** on a secure and sturdy stand which is secured against tilting. The stand must be non-combustible.

2. When setting up the machine make sure that there is adequate space around the machine and the ventilation slots for proper ventilation to avoid excessive heat (reduces lifetime of electrical components). Clean the ventilation slots from time to time from dust and dirt deposits.



## Loading paper

### Coated paper or plastic film

To load the roll into the roll compartment, open the front door (1) and the compartment cover (2) and mount the roll.

Unwind a small portion of the band from the roll and close the compartment cover (2).

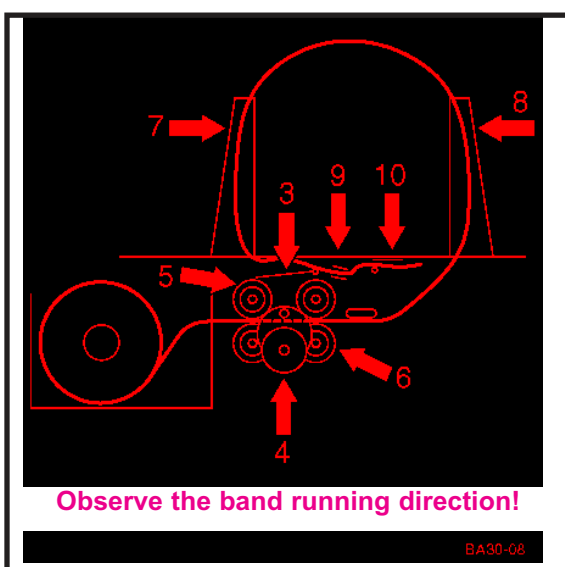
Turn the eccentric lever (3) clockwise to an upright position, pull the lateral band catch (4) against the spring force and turn it to the left. Insert the band between the pressure rollers (5) and the guiding rollers (6) below the pin.

Turn the eccentric lever (3) counter-clockwise back to the locking position. Turn the lateral band catch (4) to the right until it snaps into place.

Form a loop between the two band guides (7+8) and insert the end of the band between the spring steel guide (9) and the clamping unit (10). Close the front door.

### Caution!

In order to avoid damages to the machine, use bands by **HIMA** exclusively (terms of warranty).



## Adjusting product stops

Loosen the knurled screws of the band guides (7 + 8) and set the desired loop width (approx. 1/3 longer than the product width). Fix the guides by tightening the knurled screws (11) again.

### Caution!

*Adjust the guides in a way that the hole of the photoelectric barrier (12) is located near the center of the product.*

*Loosen the knurled screws to set the product stops (13 + 14) to the desired product length and tighten the knurled screws again to fix the stops.*

## Setting length of band loop

The knob (15) to adjust the length is located on the operating PCB which is mounted to a bracket (16) in the machine. Turn the knob (15) into the (-) direction to reduce the length of the band loop and into the (+) direction to increase it.

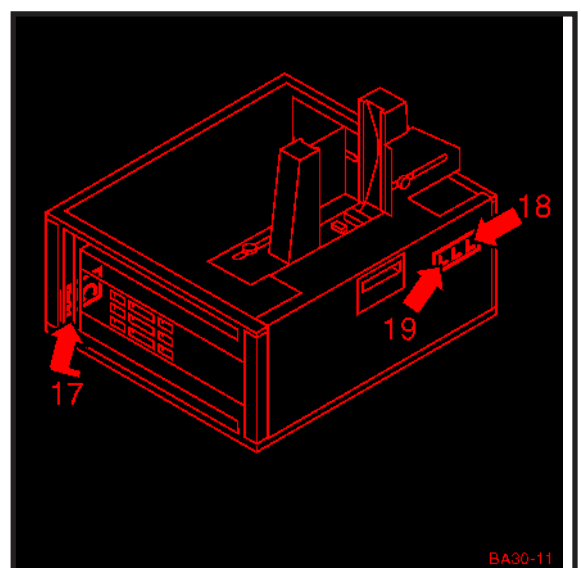
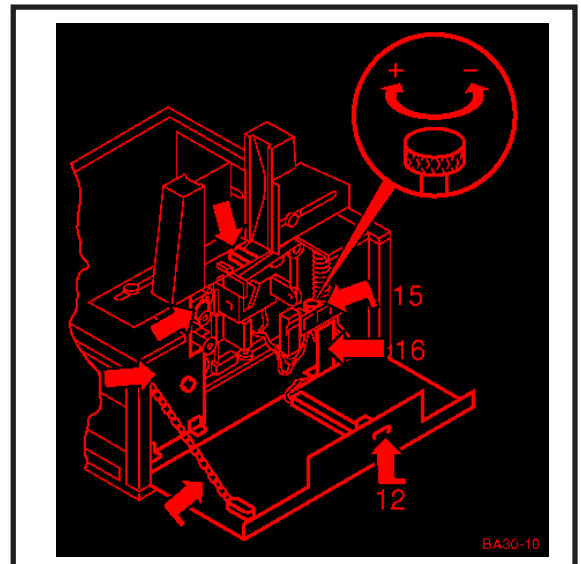
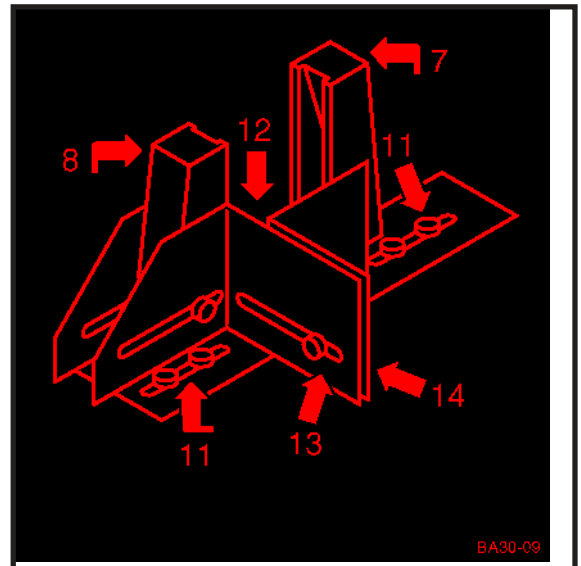
## Single-stroke operation mode

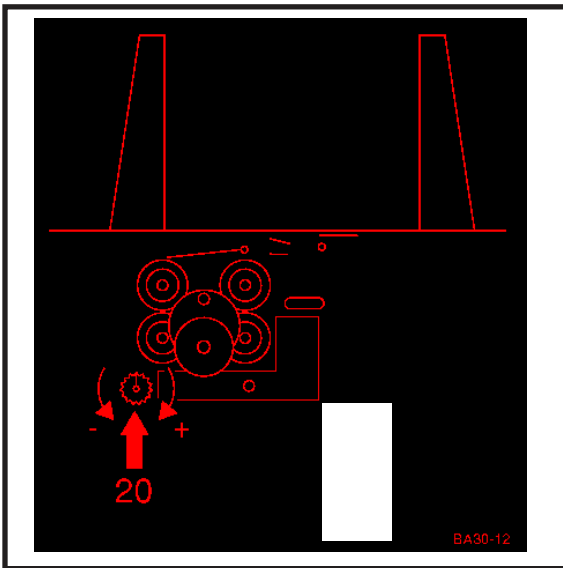
Turn on the main switch (17) at the back of the machine. Press the On/Off button (18) at the control panel, the On/Off button will flash (heating will take 2 - 3 minutes).

Wait for the On/Off button to show permanently. The machine is now ready for use.

Load the items to be banded onto the machine table. The start button (19) will flash.

Press the start button or the foot actuator (the foot actuator must be connected to the remote operation socket located at the back of the machine). The items will be banded.





## Adjusting the band tension

Turn the knob (20) into the (-) direction to reduce the band tension and into the (+) direction to increase it.

## Automatic operation mode

Turn on the main switch (17) at the back of the machine. Press the On/Off button (18) at the control panel. The On/Off button will flash (heating will take 2 - 3 minutes).

Wait for the On/Off button to show permanently. Press the automatic mode button (19) and the button will show permanently. The machine is now ready for use.

Load the items to be banded onto the machine table and the banding process will start.

## Troubleshooting

### Banding machine does not return to basic setting, paper cannot be loaded

Switch the machine off and on again with the main switch. Press the On/Off button at the control panel, the machine will return to the basic setting and be ready for use.

### Band is not sealed

The sealing head does not heat, faulty heating cartridge, faulty thermo regulator. Contact the customer service.

### Paper is not clamped

The band is not clamped, check the entire paper path, load band again if need be.

### Banding machine cannot be switched on

Check power supply. If power supply is faultless and machine cannot be operated, contact the customer service.



## **Banding machine cannot be switched on at the control panel**

Check whether the light of the main switch at the back is on. If so, the control panel is faulty (please contact customer service).

## **Banding machine can be switched on but does not start**

Check whether the front door protective contact is engaged properly. Open the front door and close it with power. If the banding machine still cannot be started, contact the customer service.

## **Banding machine switched off in the middle of a work cycle and does not return to basic setting**

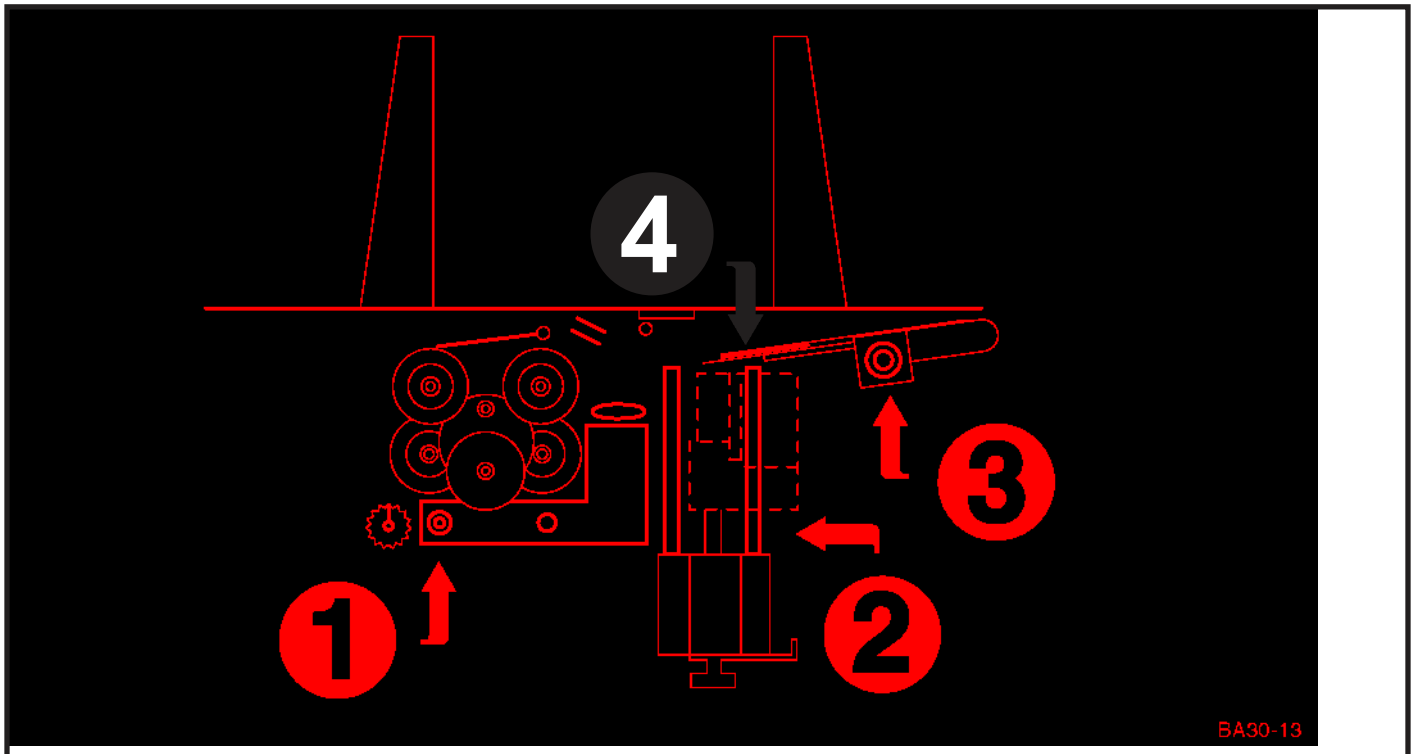
Switch the machine off and on again with the main switch. Press the On/Off button at the control panel, the machine will return to the basic setting and be ready for use.

## **Banding machine stopped in the middle of a work cycle**

Switch off main switch and check all flexible parts for easy running. Remove possible obstructions and ensure that parts are running smoothly. Check power supply and make sure that the front door protective contact is engaged properly.

### ***Caution!***

***If the listed actions of remedy do not solve the respective problem, please contact the HIMA customer service. Do not attempt to repair the machine (mechanical or electronic parts, etc.) yourself as this will void the warranty.***



BA30-13

## Lubricating intervals

In order to ensure a long service life of the machine, it is necessary to lubricate some parts.

Please use commercial white or fine oil for lubricating.

Please observe the following lubricating intervals:

**1** = monthly

**2** = daily

**3** = monthly

**4** = daily

In case of heavy dirt development, spots **2+4** should be lubricated twice a day.

## WARRANTY CARD

TYPE:  BA 40  BA 40 / 800

Machine #: \_\_\_\_\_

Delivery date: \_\_\_\_\_

Customer/ Address: \_\_\_\_\_

\_\_\_\_\_

\_\_\_\_\_

## Warranty

**HIMA – Harald Hinderer Maschinenbau** issues a six month warranty for the machine. The warranty covers material or manufacturing faults which occur during normal load. The warranty does not cover damages of parts caused by improper use, wrong operation or wilful intervention into the machine. The warranty excludes secondary damages of any type. The warranty starts with the day of delivery (delivery note date).

### Warranty procedure

1. Enclose warranty card. The machine number on the warranty card must be identical to the number on the machine nameplate.
2. Enclose copy of invoice.
3. Clean the machine prior to packaging.
4. Make sure the packaging is safe (use original packaging).
5. Enclose a short description of the error.

---

**HIMA**

*Harald Hinderer Maschinenbau*

**Banding machines** Production · Sales · Service

Brühlstrasse 22 · **D-73635 Rudersberg**

Phone: (00 49) 71 83/30 77 00 · Fax: (00 49) 71 83/30 77 01

E-Mail: [hima-maschinenbau@t-online.de](mailto:hima-maschinenbau@t-online.de) · Internet: [www.hima-maschinenbau.de](http://www.hima-maschinenbau.de)